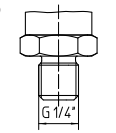
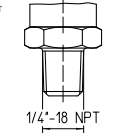
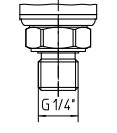
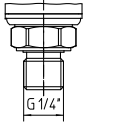
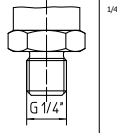
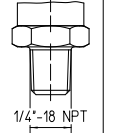
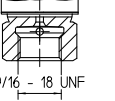
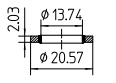
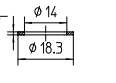
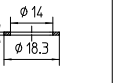
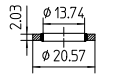
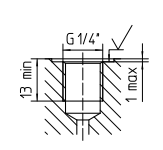
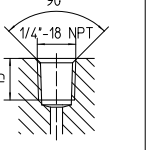
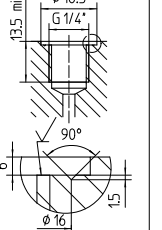
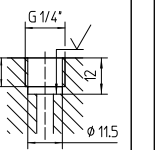
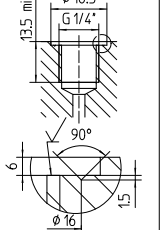
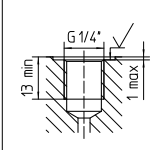
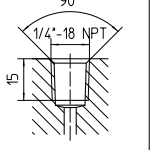
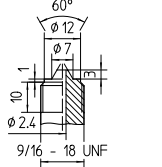
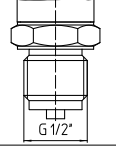
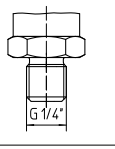
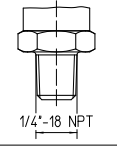
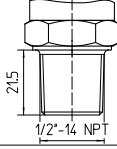
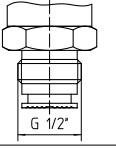
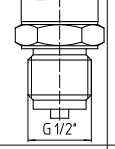
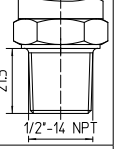
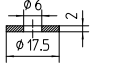
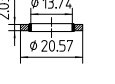
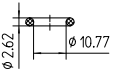
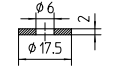
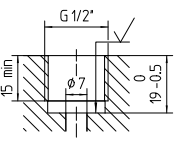
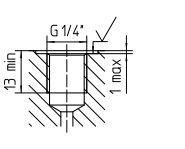
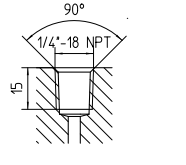
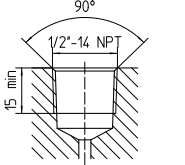
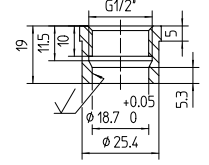
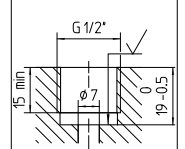
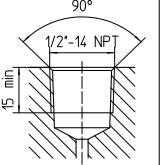


MODEL NUMBER	GS4000		GS4200		H2000		LP1000		HP1003
Process Connection	G1/4 (BSPP) 	1/4"-18 NPT 					G1/4 (BSPP) 	1/4"-18 NPT 	
Sealing Method	Bonded Seal ("Dowty") <1000 bar Part No.: 20006 		Copper Washer (annealed) Part No.: 20008 		Copper Washer (annealed) Part No.: 9727 		Bonded Seal ("Dowty") <1000 bar Part No.: 20006 		Sealant according to BS EN 751 e.g. PTFE tape Metal Seal (cone)
Counter Part									

MODEL NUMBER	PR3100				PR3850	PR9000	
Process Connection	G-1/2 EN 837-1 	G1/4 (BSPP) 	1/4"-18 NPT 	1/2"-14 NPT 	Sensitive Membrane, Handle with care! 	G-1/2 EN 837-1 	1/2"-14 NPT 
Sealing Method	Copper Washer (annealed) Part No.: 20942 	Bonded Seal ("Dowty") <1000 bar Part No.: 20006 	Sealant according to BS EN 751 e.g. PTFE tape	Sealant according to BS EN 751 e.g. PTFE tape	O-Ring Part No.: 20093 	Copper Washer (annealed) Part No.: 20942 	Sealant according to BS EN 751 e.g. PTFE tape
Counter Part					Weld Socket / Part No.: 8036 		

$$\sqrt{\quad} = \sqrt{Ra \ 3.2 \ max}$$

TIGHTENING TORQUES

* The torque values apply only to test conditions and are a guide only. Tightening torques for installation depend on many factors, including materials, lubrication, coating and surface treatment. If in doubt the manufacturer is to be consulted.

** NPT threads need an additional sealant to BS EN 751 (e.g. PTFE tape)

*** Tightening torque and maximum pressure should be in accordance with high pressure pipe supplier's documentation

Thread Type	Torque Settings *				
	P ≤ 100 bar	100 bar < P ≤ 400 bar	600 bar < P ≤ 1500 bar	2000 bar	4000 bar / 5000 bar ***
G1/4" (BSPP), 1/4"-18 NPT**	Max. 35 Nm	---	---	---	---
G1/2" (BSPP), 1/2"-14 NPT**	Max. 50 Nm	---	---	---	---
F250C (9/16-18 UNF female conical)	---	---	30-35 Nm	32-35 Nm***	---