

esi

PROTRAN® PR3202 UL Ultra Low Range Differential Pressure Transmitter

- Ultra low pressure ranges from 0-0.25 mbar to 0-2.5 mbar DP
- Available for gauge reference or bi-directional measurement
- Durable designs for industrial and commercial installations
- IP65 rated housing



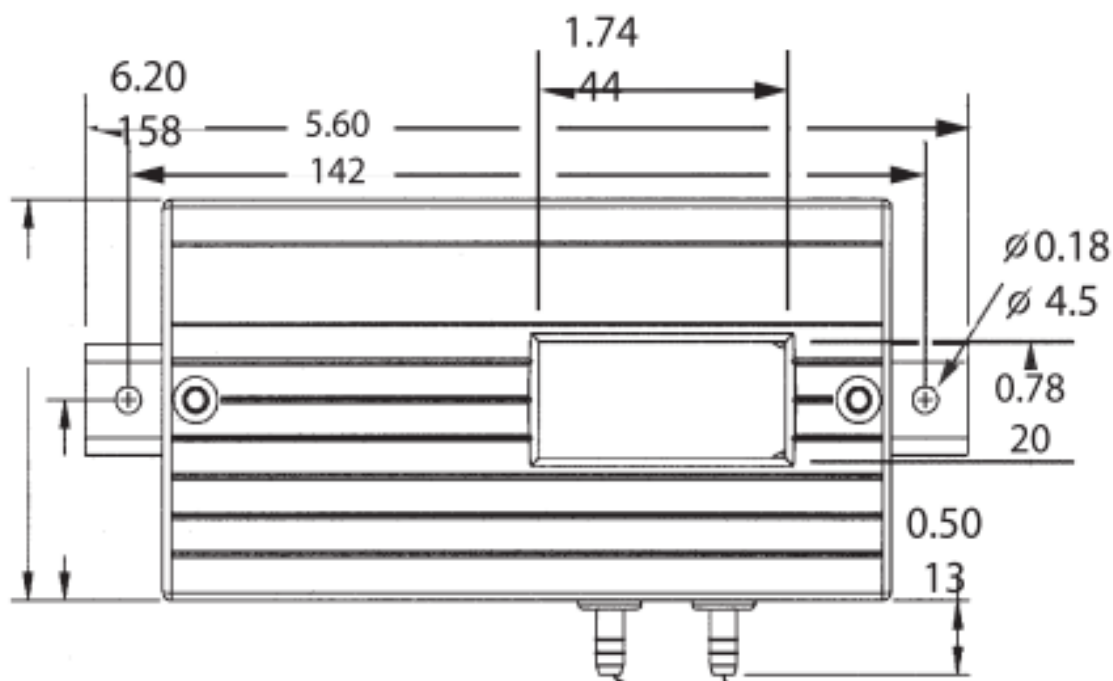
Specifications

The **PROTRAN© PR3202** Ultra Low differential pressure transmitter senses gauge (static) or differential pressure in air pressure ranges as low as 0.25 mbar. This gauge pressure transmitter is offered with 4 to 20 mA output or high level voltage and is available with a static pressure probe for installation directly onto the duct. The 0.25" diameter pressure probe is made of sturdy extruded aluminium and is designed with baffles to prevent velocity pressure errors.

Typical applications include;

- Heating, ventilation and air conditioning systems (HVAC)
- Energy management systems
- Static duct pressure
- Clean room pressure
- Any application measuring air or similar non-conducting gases.

Dimensions (in mm)



Technical Data

Type	PR3202 UL		
Sensor Technology:	Stainless steel capacitive sensing element		
Output Signal:	4-20 mA (2 wire)	0-5 V (3 wire)	0-10 V (3 wire)
Supply Voltage:	9-30VDC	12-40 VDC	13-40 VDC
Pressure Reference:	Differential		
Protection of Supply Voltage:	Protected against supply voltage reversal up to 50 V		
Standard Pressure Ranges (mbar):	Unidirectional Ranges: 0-0.25 mbar; 0-0.5 mbar; 0-1 mbar; 0-2.5 mbar; Bidirectional Ranges: ±0.25 mbar; ±0.5 mbar; ±1 mbar; ±2.5 mbar		
Overpressure Safety:	Up to 10 psi (range dependant)		
Common Mode (Static line pressure):	10 psi (Max.)		
Load driving Capability:	4 – 20 mA: RL < [UB - 9 V] / 20 mA ; 0 – 5 V: max. load RL > 5 KΩ; 0 – 10 V: max. load RL > 10 KΩ		
Accuracy NLHR:	< +1.0 % of span BFSL		
Zero Offset & Span Tolerance:	±0.16mA, ±50mV (factory calibrated at 0g effect in the vertical position, adjustment inside with trimming potentiometers)		
Operating Ambient Temperature:	-18°C – +65°C (-0.4 °F to +149 °F)		
Operating Media Temperature:	-18°C – +65°C (-0.4 °F to +149 °F)		
Storage Temperature:	+5 °C to +40 °C (+41 °F to +104°F) Recommended Best Practice		
Temperature Effects:	±0.06 %FS/°C, +5 to +65°C (±0.033 %FS/°F, +40 to +150°F)		
Electromagnetic Compatibility:	Certification: UKCA and CE Marked		
Response Time 10-90%	20 mS		
Pressure Media:	Air or other neutral gases		
Pressure Connection:	16" O.D. barbed brass for 1/4" push on tubing (standard)		
Electrical Connection:	Screw terminal strip inside of case; PG-9/PG13.5 strain relief, 1/2" conduit opening		
Net. Weight:	0.4 Kg		