

esi

PROTRAN® PR3110

Low Pressure Transmitter

- Wide choice of low pressure ranges from 0-100 mbar
- Available in Gauge or Absolute reference
- Barometric ranges available
- Ideal for low pressure fluid and gas applications
- ATEX/IECEx option available, including M1 for mining applications
- DNV-GL certification available



Specifications

The **PROTRAN PR3110** pressure transmitter is designed to meet the requirements of the majority of applications where accurate low pressure measurement is required. Robustly constructed from stainless steel this range of pressure transmitters incorporates the latest silicon strain gauge technology together with a custom IC amplifier offering excellent stability and accuracy over a long service life. Pressure ranges are available from 0- 100 mbar to 0- 900 mbar, along with barometric options.

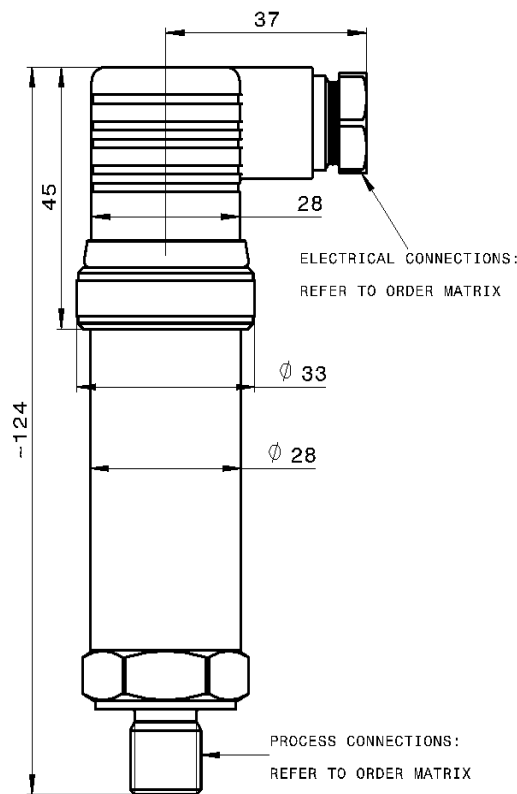
ATEX and IECEx approval and protection by intrinsic safety is optional and intended for installation and operation in zone 0, gas group IIC, temperature class T4 and zone 20 dust and M1 mining. DNV GL rules for classification of ships, high speed & light craft and DNV GL offshore standards.

Typical applications include:

Low pressure fluid and gas applications



Dimensions (in mm)



Electrical Connections

Pin No.	mA (2 wire)
1	+supply
2	4-20mA signal
3	N/C
⏏	to case

Technical Data

Type	PR3110
Sensor Technology:	Isolated Piezoresistive Silicon
Output Signal:	4-20 mA (2 wire) Optional 0-5 Vdc & 0-10 Vdc non ATEX
Supply Voltage:	13-36 VDC
Pressure Reference	Gauge or Absolute
Protection of Supply Voltage	Protected against supply voltage reversal up to 50 V
Standard Pressure Ranges (mbar)	0 – 100 mbar, 0-200 mbar, 0 – 250 mbar; 0 – 300 mbar; 0 – 400 mbar, 0 – 500 mbar, 0 – 600 mbar, 0 – 750 mbar, 0 – 900 mbar (other ranges available; absolute ranges from 0 - 500mbar)
Standard Pressure Ranges (psi)	0-1.5 psi; 0-3 psi; 0-4 psi; 0-7.5 psi; 0-15 psi (other ranges available; absolute ranges from 0 - 7.5 psi)
Overpressure Safety:	6x for 100 mbar range; 3x for ranges 200 mbar to 900 mbar
Load driving Capability:	4 – 20 mA: $RL < [UB - 13 V] / 20 \text{ mA}$ (e.g. with supply voltage (UB) of 36V, max. load (RL) is 1150Ω)
Accuracy NLHR:	$\leq \pm 0.3 \%$ of span BFSL
Zero Offset & Span Tolerance:	$\pm 0.5 \%$ FS at room temperature; $\pm 5 \%$ (approx.) adjustment with easy access trimming potentiometers
Operating Ambient Temperature:	-20°C to +85°C (-4°F + 185°F)
Operating Media Temperature:	-20°C to +85°C (-4°F to 185°F)
Storage Temperature:	+5°C to +40°C (+41°F to +104°F) Recommended Best Practice
Temperature Effects:	$\pm 1.5 \%$ FS total error band for -20°C to +70°C. Typical thermal zero and span coefficients +0.015 %FS/°C
ATEX/IECEX Approval (4-20 mA version only):	EX II 1 G Ex ia IIC T4 Ga (Zone 0) Ex II 1 D Ex ia IIIC T135°C Da (Zone 20) Ex I M1 Ex ia Ma (group 1 M1)
ATEX/IECEX Safety Values:	$U_i = 28 \text{ V}$ $I_i = 119 \text{ mA}$ $P_i = 0.65 \text{ W}$ $L_i = 0.1 \mu\text{H}$ $C_i = 74 \text{ nF}$ Temperature Range = -20 °C to +70 °C Max. cable length = 45 m
DNV GL Approval Class:	Temperature: D; Humidity: B; Vibration: B; EMC: B; Enclosure: C (contact sales for more information)
Electromagnetic Compatibility:	Emissions: BS EN61000-6-3; Immunity: BS EN61000-6-2; Certification: CE/UKCA Marked
Insulation Resistance:	> 100 MΩ @ 50 VDC
Response Time 10-90%:	1 mS
Wetted Parts:	SAE 316 stainless steel and nitrile (NBR) seal
Pressure Media:	All fluids compatible with SAE 316 stainless steel and nitrile (NBR)
Pressure Connection:	1/4" BSP male (G1/4); 1/4" NPT male; 1/2" BSP male (G1/2); 1/2" NPT male (other options available)
Electrical Connection:	Mating socket EN175301-803 Form A (ex DIN43650) rated IP65 with PG9 cable entry (other options available)
Net Weight:	0.3 Kg

Order Matrix

Output	Wires	Type	Electrical Connection/ Options	Pressure Range	Process Connection
4-20 mA	2	PR3100			
Electrical Connections/Options					
Din plug and socket			-		
ATEX/IECEX certified with DIN EN175301 plug			EX		
DNV GL Approval			M		
DNV GL Approval plus ATEX/IECEX certified			EXM		
Pressure Range in mbar					
0-100 mbar				0100	
0-200 mbar				0200	
0-250 mbar				0250	
0-300 mbar				0300	
0-400 mbar				0400	
0-500 mbar				0500	
0-600mbar				0600	
0-750 mbar				0750	
0-900 mbar				0900	
Barometric Ranges (ATEX/IECEX/DNV GL not available)					
700 to 1100 mbar				01BA	
800 to 1200 mbar				02BA	
800 to 1300 mbar				03BA	
Process Connection					
1/4" BSP male (G1/4)					AB
1/4" NPT Male					AM
1/2" BSP male (G1/2)					AC
1/2" NPT male					AN

Order Number Example

PR3110EX0100AC

For options not listed please contact the sales team

DISCLAIMER: ESI Technology Ltd operates a policy of continuous product development. We reserve the right to change specification without prior notice. All products manufactured by ESI Technology Ltd are calibrated using precision calibration equipment, traceable to national measurement standards.