

esi

PROTRAN® PR3100

Standard Industrial Pressure Transmitter

- Pressure ranges available from 0-2.5 bar to 0-1000 bar
- Reliable pressure management
- Long service life
- Robust designs
- ATEX/IECEx option available, including M1 for mining applications



Specifications

The **PROTRAN PR3100** series pressure transmitters have been designed to meet the requirements of the majority of industrial applications of pressure measurement requiring an output of 4-20 mA. Robustly constructed from stainless steel this range of pressure transmitters incorporates the latest strain gauge technology together with a custom IC amplifier, offering excellent stability and accuracy over a long service life.

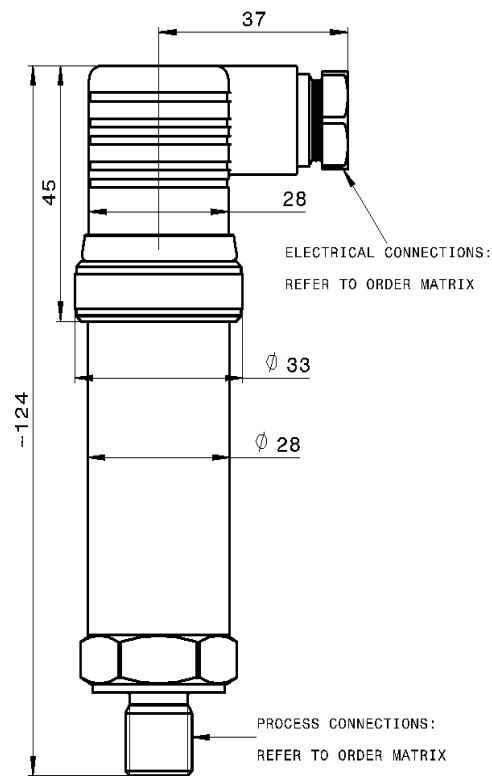
An optional ATEX and IECEx approved version of this product is available for explosion protection for flammable gases (zone 0), dusts (zone 20) and mining areas (group I M1).

Typical applications include:

- Mechanical and civil engineering installations
- Process plant
- Production test facilities
- Water resources
- Power generation
- Any application on fluid or gas requiring a stable repeatable and accurate output signal of 4-20 mA.



Dimensions (in mm)



Electrical Connections

Pin No.	DIN Connection	
	mA	Vdc
1	2 wire +supply	4 wire -supply
2	4-20mA signal	+supply
3	N/C	+output
⊥	to case	-output

Pin No.	M12 Connection	
	mA	Vdc
1	2 wire +supply	4 wire -supply
2	N/C	+supply
3	4-20mA	+output
4	N/C	-output

Technical Data

Type	PR3100	PR3101	PR3102	PR3103
Sensor Technology:	Ceramic Thick Film or Bonded Foil Strain Gauge			
Output Signal:	4-20 Ma (2 wire)	2 mV/V typical (4 wire)	0-5 V (4 wire)	0-10 V (4 wire)
Supply Voltage:	13-36 VDC	10 VDC (5-15)	13-30 VDC	13-30 VDC
Pressure Reference:	Gauge or Absolute			
Protection of Supply Voltage:	Protected against supply voltage reversal up to 50 V (amplified versions)			
Standard Pressure Ranges (bar):	0 – 1 bar Vac; 0 – 2.5 bar; 0 – 10 bar; 0 – 100 bar; 0 – 250 bar; 0 – 600 bar; 0 – 1000 bar (other ranges available; absolute to 0 – 400 bar)			
Standard Pressure Ranges (psi):	0-30 in Hg; 0-30 psi; 0-150 psi; 0-1500 psi; 0-3000 psi; 0-10000 psi; 0-15000 psi (other ranges available; absolute to 0-5800 psi)			
Overpressure Safety:	2x for ranges 1 bar to 400 bar; 1.5x for 600 bar range; 1.2x 1000 bar range			
Load driving Capability:	4-20 mA: RL < [UB-13V] / 20mA (e.g. with supply voltage (UB) of 36V max. load (RL) is 1150Ω); 2 mV/V: n/a; 0-5 V: max load RL > 5 KΩ; 0-10 V: max load RL > 10KΩ			
Accuracy NLHR:	≤ ±0.3 % of span BFSL			
Zero Offset & Span Tolerance:	±0.5 %FS at room temperature (PR3101: ±0.2 mV); ±5 %FS (approx.) adjustment with easy access trimming potentiometers on amplified versions only			
Operating Ambient Temperature:	-20°C to +85°C (-4°F to 185°F)			
Operating Media Temperature:	-20°C to +85°C (-4°F to 185°F)			
Storage Temperature:	+5°C to +40°C (+41°F to +104°F) Recommended Best Practice			
Temperature Effects:	±1.5 %FS total error band for -20°C to +70°C. Typical thermal zero and span coefficients ±0.015 %FS/°C			
ATEX/IECEx Approval (4-20 mA version only):	EX II 1 G Ex ia IICT4 GA (Zone 0) Ex II 1 D Ex ia IIIC T135 C Da (Zone 20) Ex I M1 Ex ia Ma (group)	n/a	n/a	n/a
ATEX/IECEx Safety Values:	Ui = 28 V / Li = 119mA / Pi = 0.65 W / Li = 0.1 pH / Ci = 74 nF. Temperature Range = '-20C to +70C. Max. cable length = 45m	n/a	n/a	n/a
Electromagnetic Compatibility:	Emissions: BS EN61000-6-3; Immunity: BS EN6100-6-2; Certification: CE/UKCA Marked			
Insulation Resistance:	> 100 MΩ @ 50 VDC			
Response Time 10-90%:	1 mS			
Wetted Parts:	SAE 316 Stainless Steel and Nitrile NBR O-Ring for ranges up to 20 bar, and SAE 316 stainless steel, alumina and nitrile (NBR) seal for ranges over 20 bar			
Pressure Media:	All fluids compatible with SAE 316 Stainless Steel and Nitrile NBR O-Ring for ranges up to 20 bar, and SAE 316 stainless steel, alumina and nitrile (NBR) seal for ranges over 20 bar			
Pressure Connection:	1/4" BSP male (G1/4): 1/4" NPT male; 1/2" BSP male (G1/2); 1/2" NPT male (other options available)			
Electrical Connection:	Mating socket EN175301-803 Form A (ex DIN43650) rated IP65 with PG9 cable entry (other options available)			
Net Weight:	0.3 Kg			

Order Matrix

Output	Wires	Type	Electrical Connection/ Options	Pressure Range	Process Connection
4-20 mA	2	PR3100			
2 mV/V	4	PR3101			
0-5 Vdc	4	PR3102			
0-10 Vdc	4	PR3103			
Electrical Connections/Options					
Din plug and socket			-		
Cable outlet 1m screened			A		
M12 connector			B		
Cable outlet 1m screened IP67 protection			C		
ATEX/IECEx certified with DIN EN175301 plug			EX		
Pressure Range in bar					
0-1 bar Vac				V001	
0-2.5 bar				02.5	
0-10 bar				0010	
0-100 bar				0100	
0-250 bar				0250	
0-600 bar				0500	
0-1,000 bar				1000	
Process Connection					
1/4" BSP male (G1/4)					AB
1/4" NPT Male					AM
1/2" BSP male (G1/2)					AC
1/2" NPT male					AN

Order Number Example

PR3100-0100AC

For options not listed please contact the sales team

DISCLAIMER: ESI Technology Ltd operates a policy of continuous product development. We reserve the right to change specification without prior notice. All products manufactured by ESI Technology Ltd are calibrated using precision calibration equipment, traceable to national measurement standards.