

# esi

## PM1000

### Plug-in Display

- Provides convenient localised display
- Plugs on to any transmitter with 4-20 mA output
- Power taken from 4-20mA loop
- Easy installation between transmitter plug and connecting cable socket
- Storable settings data for easy repeat parameter usage
- Compact and lightweight design
- 4 digit bright LED plug-on display
- Compatible with DIN EN175301-803 plug form A, ISO4400 (DIN43650) connector
- Set point switching option (PM1001)

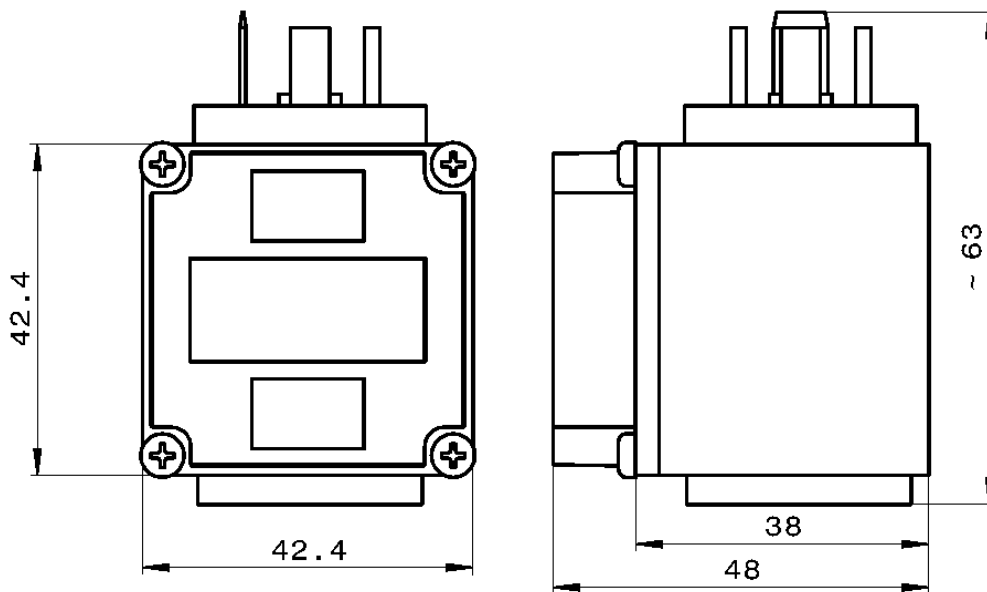


## Specifications

The **PM1000 series** is suitable for use with any transmitter using a 4-20mA 2 wire output and DIN EN175301-803 plug form A, ISO4400 (DIN43650) connector. The 4 digit LED display can be set with user defined parameters (inc. zero, span, decimal point and set-point levels) which are stored in non-volatile EEPROM. This is easily modified through the menu using two programming buttons. The PM1001 version also offers a set point switching option, allowing the user to easily define a set point where an open drain switch output can be activated.

**Typical applications include:** Use with pressure, temperature, level, or flow transmitters for local readout, alarm activation or control.

## Dimensions (in mm)



## Electrical Connections

Pin No.	PM1000/2	PM1001
1	+supply	+supply
2	4-20mA return	4-20mA return
3	Not connected	Open drain (P type switch)
⏏	Connected through to transmitter plug	

## Technical Data

Type	PM1000	PM1001
Alarms:	N/A	Single set point
Display Output Range:	-1999 to 9999	
Input Signal:	4-20mA, 2 wire current loop	
Display Calibration:	Factory set to display 4.00 to 20.00 for 4-20mA input	
Accuracy:	0.2% full scale (FS) input +/- 1 digit	
Power Supply Voltage:	Requires 5 VDC from loop supply	
Allowed Loop Current:	Maximum 60mA. Above this automatic circuit protection is activated	
Display Update Rate:	300mS to 25.5S, adjustable filter setting from menu	
Open Drain Switch Output:	<b>PM1001 Only:</b> P Type MOSFET switch. Maximum current source: 90mA, with automatic circuit protection	
Programming:	Via two press buttons, menu assisted. Access to the programming buttons is made by removing front cover.	
Menu Selection:	<b>Zero Adjustment:</b> -999 to 9999; <b>Span Adjustment:</b> 0 to 9999; <b>Decimal Point:</b> 3 positions, or off; <b>Filter:</b> 0.3 to 25.5S; <b>Over Range:</b> On/Off; <b>Setpoint:</b> -999 to 9999; <b>Setpoint Direction:</b> Up/Down <b>Settings stored in non-volatile EEPROM</b>	
Operating Temperature Range:	-10°C to +60°C (14°F to 140°F)	
Storage Temperature:	-30°C to +80°C (-22°F to 176°F) Recommended best practice	
Case Materials:	Moulded ABS plastic, red acrylic display window, nitrile seal	
Ingress Protection Type:	Splash-proof, enclosure sealed to IP65	
Electrical Connection:	Plugs directly onto transmitters with 4-20mA output and mating socket EN175301-803 Form A (ex DIN43650) 3-pin + earth connector plug	
ESI Compatible Models:	GS4200; HP1003; HP1103; LP1003; PR3100; PR3110; PR3200; PR3850; PR3860	
Net Weight (Kg):	0.1Kg	

## Order Matrix

Option	Part Number
Standard 4-20 mA display	<b>PM1000</b>
Single set point alarm	<b>PM1001</b>

**DISCLAIMER:** ESI Technology Ltd operates a policy of continuous product development. We reserve the right to change specification without prior notice. All products manufactured by ESI Technology Ltd are calibrated using precision calibration equipment, traceable to national measurement standards.