



DH3400

Desiccant Housing



Desiccant Housing is
for use with submersible
pressure transmitters



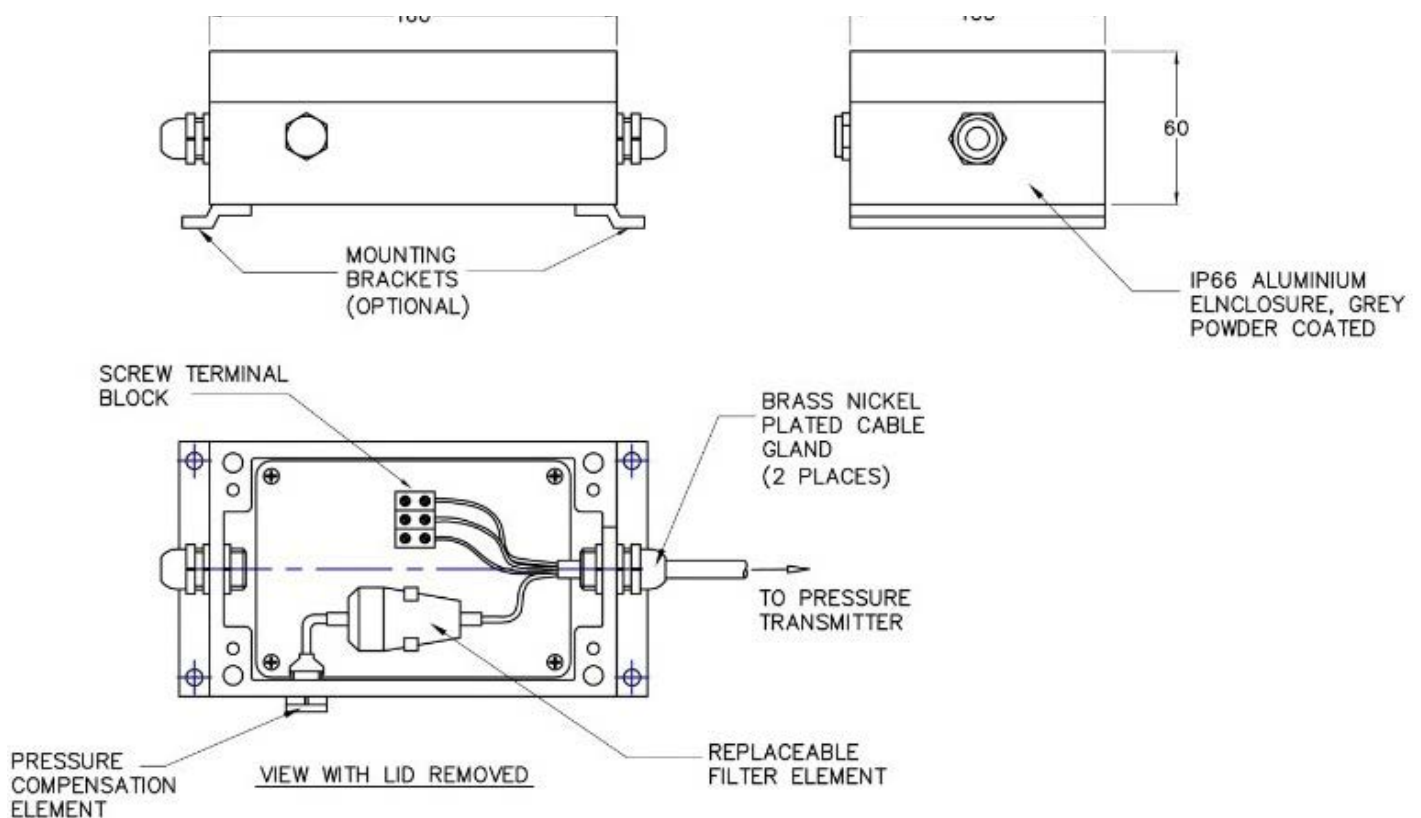
Description

The DH3400 Desiccant Housing is for use with submersible pressure transmitters and is designed to keep air in vent tube dry, protecting the transducer from condensation.

The internal desiccant chamber is protected from weather in a vented enclosure. The life of the desiccant depends on the environment, but it should be replaced regularly.

DH3400-REFILL is also available from ESI Technology Ltd

Dimensions (in mm)



DISCLAIMER : ESI Technology Ltd operates a policy of continuous product development. We reserve the right to change specification without prior notice. All products manufactured by ESI Technology Ltd are calibrated using precision calibration equipment, traceable to national measurement standards.